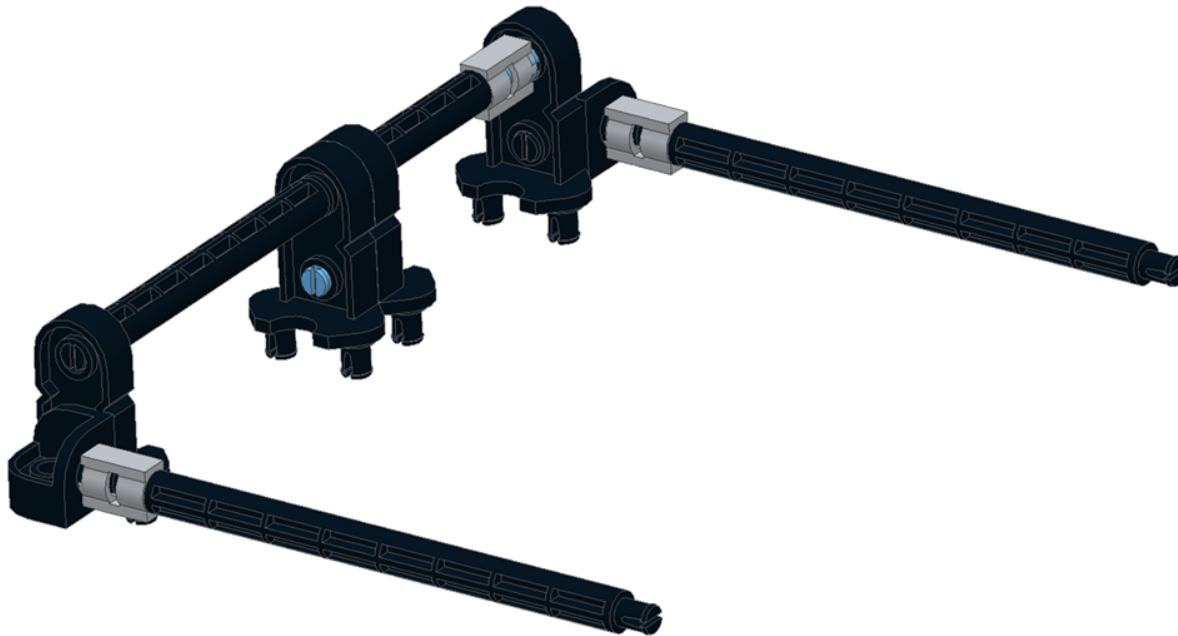
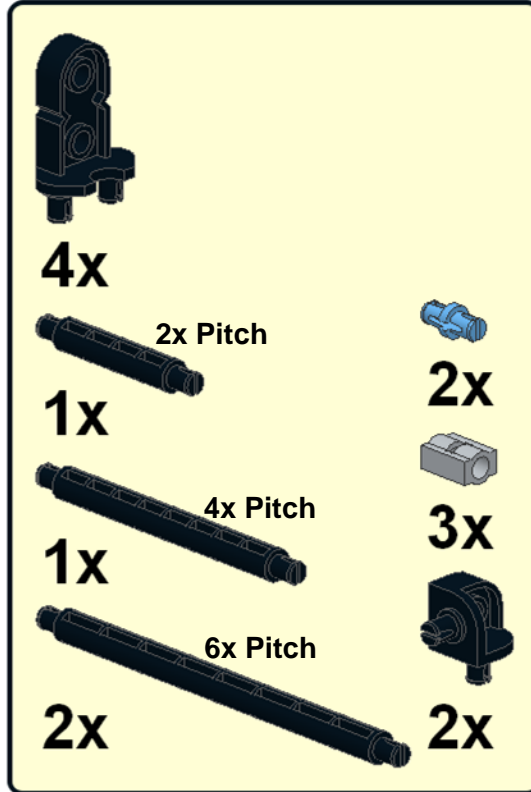


U Barrier



Inventory



4x

1x 2x Pitch

1x 4x Pitch

2x 6x Pitch

2x

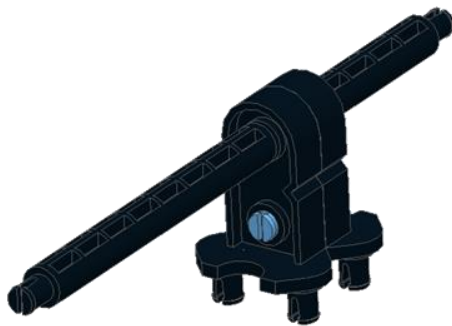
3x

2x

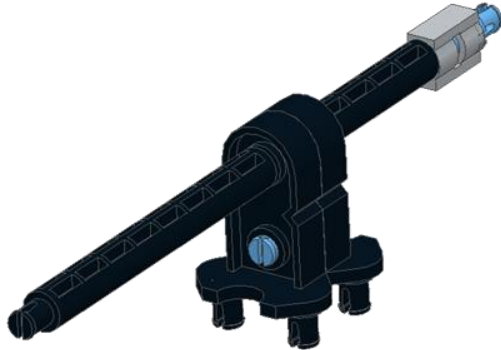
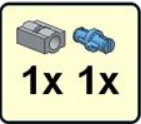
1



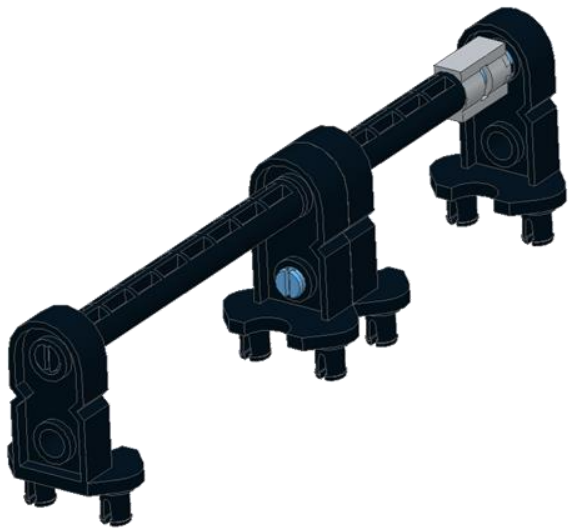
2



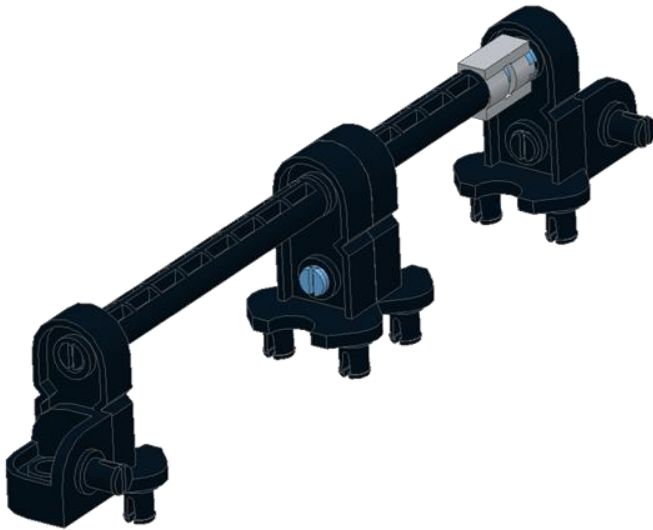
3



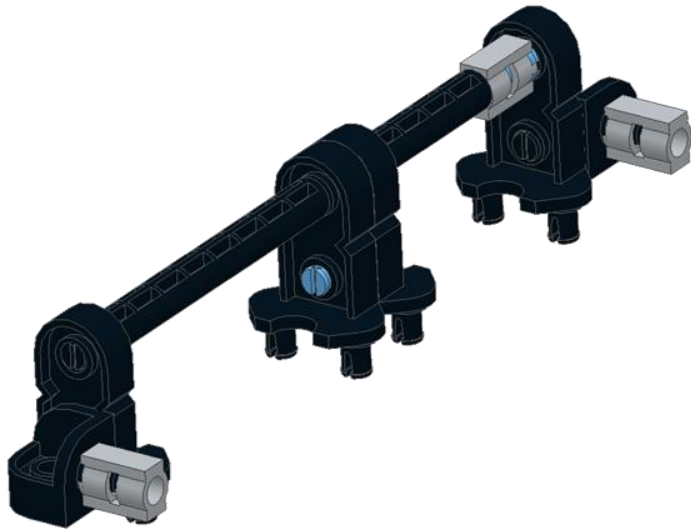
4



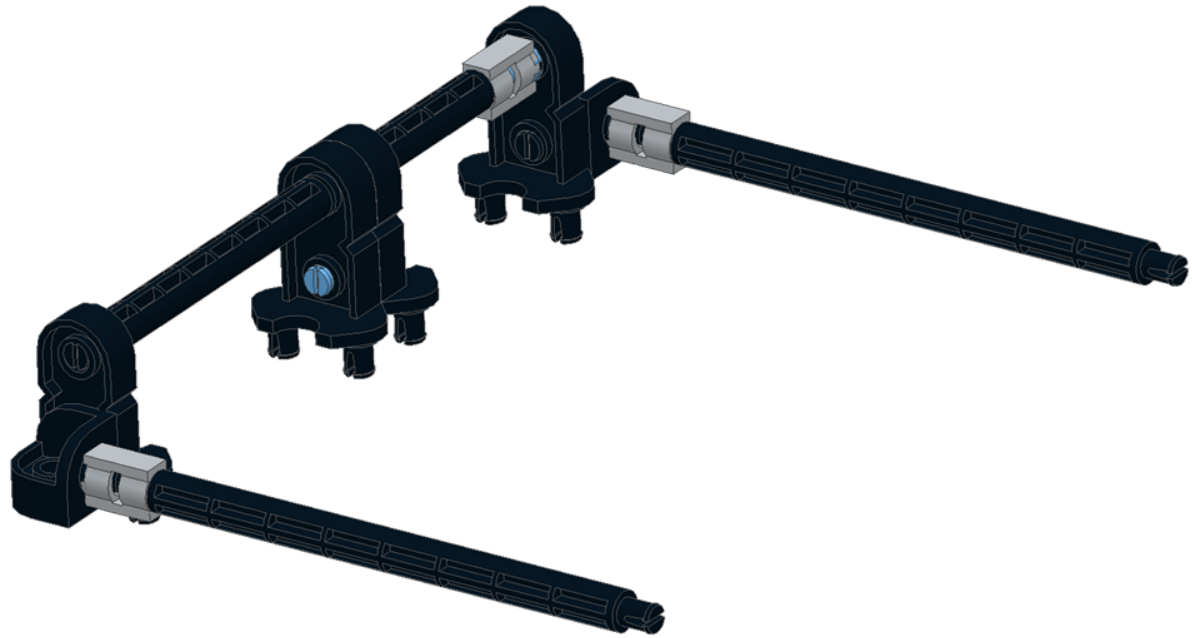
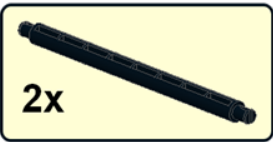
5



6



7



U Barrier

